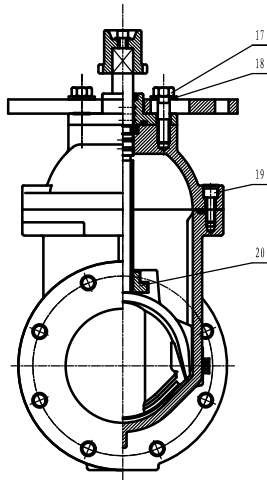
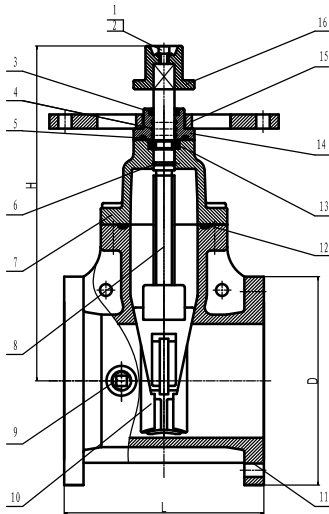


AWWA C515 Flanged Resilient NRS Gate Valve with Post Plate 300PSI (JKDZ45FPF)



MATERIAL SPECIFICATION

PART NO.	Description	Material Specification	Options
1	Flat Washer	Stainless Steel 304	Galvanized Steel
2	Hexagon Socket Screw	Stainless Steel 304	Galvanized Steel
3	Sealing Ring	EPDM ASTM D2000	
4	O-Ring	EPDM ASTM D2000	
5	Sealing Ring	EPDM ASTM D2000	
6	O-Ring	EPDM ASTM D2000	
7	Bonnet	Ductile Iron ASTM A536	
8	Stem	Stainless Steel 316	Stainless Steel 304/431
9	Plug	ASTM B148 C95400	Stainless Steel 304/Galvanized Steel
10	Disc	EPDM ASTM D2000 +DI ASTM A536	
11	Body	Ductile Iron ASTM A536	
12	Sealing Ring	EPDM ASTM D2000	
13	Retaining Ring	ASTM B148 C95400	
14	Gland	Ductile Iron ASTM A536	
15	Post Plate	Ductile Iron ASTM A536	
16	Wrench Nut	Ductile Iron ASTM A536	
17	Bolt	Stainless Steel 304	Galvanized Steel
18	Washer	Stainless Steel 304	Galvanized Steel
19	Hexagon Socket Screw	Galvanized Steel	Stainless Steel 304
20	Stem Nut	ASTM B148 C95400	Stainless Steel CF8

Note:For special material request other than standard specification,please indicate clearly on the inquiry or order list.

Item No.	DN	Dimensions(Inch)		
		L	D	H
JKDZ45FPF25	2.5"	7.48	7.01	11.50
JKDZ45FPF03	3"	7.99	7.52	12.68
JKDZ45FPF04	4"	9.02	9.02	13.46
JKDZ45FPF05	5"	10.00	10.00	16.22
JKDZ45FPF06	6"	10.51	10.98	17.64
JKDZ45FPF08	8"	11.50	13.50	21.02
JKDZ45FPF10	10"	12.99	15.98	25.00
JKDZ45FPF12	12"	14.02	19.02	28.35

- Connection Ends:Flange to ASME B16.1 CL 125
- Working Pressure: 300PSI
- Temperature Range: 32 -176
- Coating:Fusion Bonded Epoxy Coating in accordance with ANSI/AWWA C550